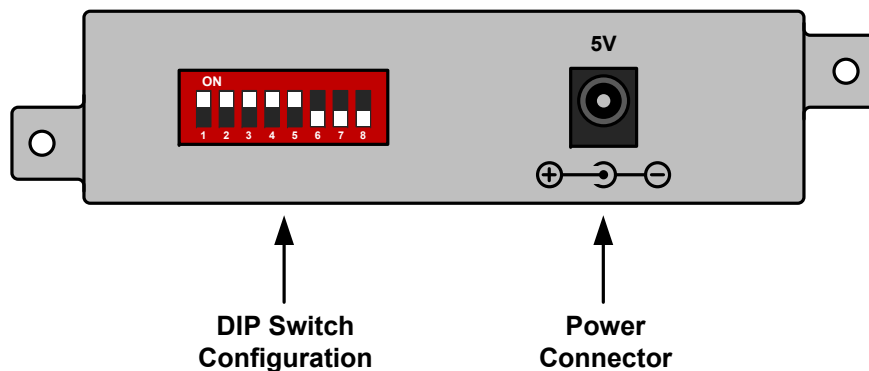
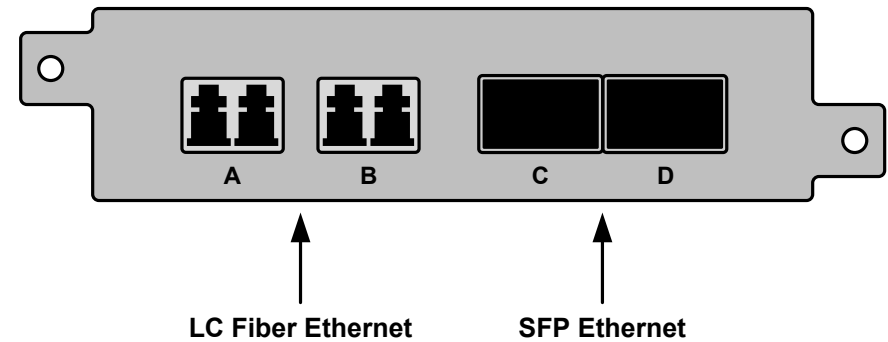
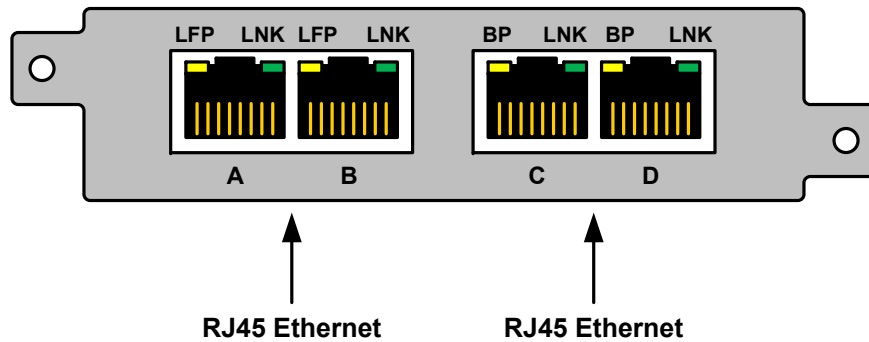


Installation

To deploy the PT200 Portable Tap into your network, simply:

- Unpack the device and attach it to the optional rack mount bracket (sold separately)
- Install the PT200 assembly into any available 1U slot of a network rack and secure it with rack mount screws
- Utilizing the DIP switches (located on the reverse side of the unit, next to the power input) configure the PT200 for the operating mode of your choice
- Connect the power supply to the PT200 and plug it in to an available power source
- Using standard Ethernet cables, connect ports [A] and [B] (Auto MDIX) of the PT200 between the two live network devices where monitoring is desired
- Connect ports [C] and [D] (Auto MDIX) to the monitoring tools for traditional traffic monitoring (SPAN mode may also be used for regenerating other outputs)
- **Note:** Using SPAN mode on fiber models may require both [A] and [B] ports to be connected to obtain link on port [A]



Speed	Duplex	LFP	Mode 1	Mode 2	Bi-Dir C	Bi-Dir D	NA
1000	AUTO	ON	A B	A S	ON	ON	NA
100	FULL	OFF	S	B	OFF	OFF	NA
1	2	3	4	5	6	7	8

DIP Switch Configuration (requires power cycle)

PT200 Operating Modes

Aggregating Mode

Breakout Mode

SPAN Regen Mode

