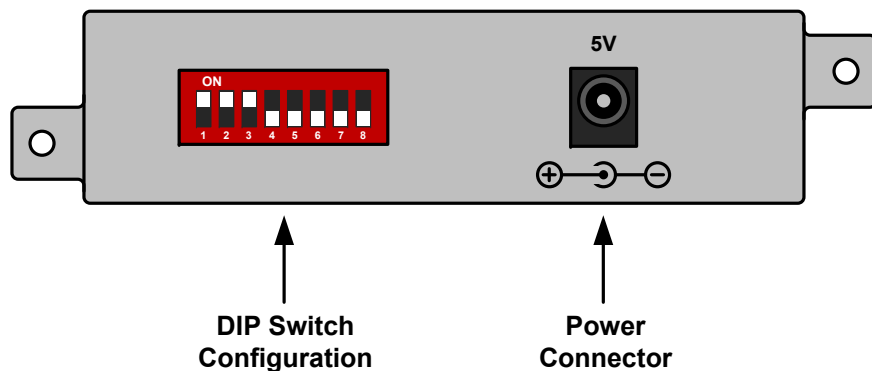
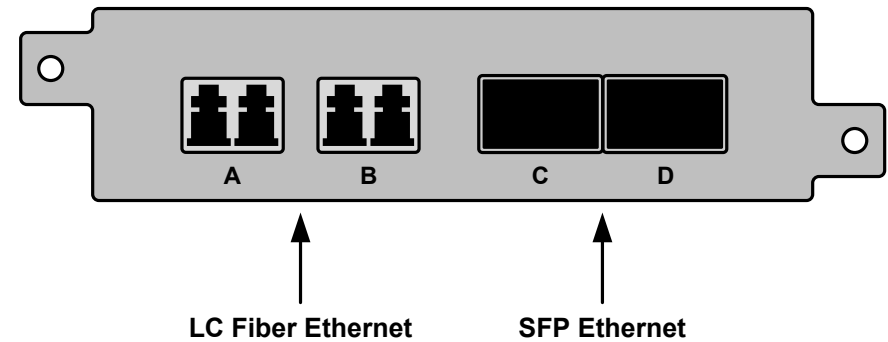
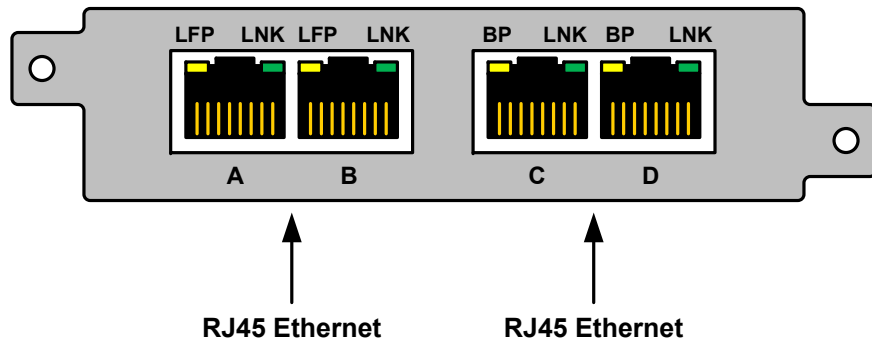


Installation

To deploy the PT200 V-Line Portable Tap into your network, simply:

- Unpack the device and attach it to the optional rack mount bracket (sold separately)
- Install the PT200 assembly into any available 1U slot of a network rack and secure it with rack mount screws
- Utilizing the DIP switches (located on the reverse side of the unit, next to the power input) configure the PT200 for the operating mode of your choice
- Connect the power supply to the PT200 and plug it in to an available power source
- Using standard Ethernet cables, connect ports [A] and [B] (Auto MDIX) of the PT200 between the two live network devices where you would otherwise deploy an inline appliance (for example: IPS or DLP). Other operating modes may be desired for monitoring and may be configured using the provided DIP switches
- Connect ports [C] and [D] (Auto MDIX) to the inline IPS/DLP appliance or other tools for traditional breakout or aggregated traffic monitoring



Speed	Duplex	LFP	Mode 1	Mode 2	Bi-Dir C	Bi-Dir D	NA
1000	AUTO	ON	A B	A	ON	ON	NA
100	FULL	OFF	V	B V	OFF	OFF	NA
1	2	3	4	5	6	7	8

DIP Switch Configuration (requires power cycle)

PT200 V-Line Operating Modes

V-Line Bypass Mode

Aggregating Mode

Breakout Mode

