



# Network Critical

The Window to your Network™

## PT200 Portable V-Line (Bypass) TAP

The PT200 Portable V-Line Bypass TAP is ideal for 100/1000Mb copper and 1000Mb fiber network troubleshooting. The innovative design allows this TAP to be configured as a breakout TAP, aggregating TAP, and V-Line Bypass TAP.

By using virtually inline or V-Line taps in a network, system administrators can isolate appliance failures and inherited appliance software issues by deploying their otherwise inline network tools using a hardened traffic access point. V-Line taps actively monitor the directional flow of data through a network appliance in both directions, and allow the tap to maintain live network continuity while having the option to actively bypass an inline appliance, should the device lose network link or traffic flowing in either direction through the inline appliance.

In the event of an inline appliance failure, V-Line traffic access points detect these occurrences while maintaining live network link, and will actively bypass the faulty appliance. Similarly, if traffic ceases flowing in either direction through an inline appliance, V-Line taps can detect such an anomaly and actively bypass inline appliance software failures.



### FEATURES

Link Failure Propagation (LFP)

Configurable TAP Modes

Passes physical layer errors

Aggregating monitor ports

Gigabit monitoring ports

Easily Configurable

### BENEFITS

Allows attached network devices to detect if link state is lost on adjacent network devices

Supports breakout mode, aggregation mode, and V-Line Bypass mode

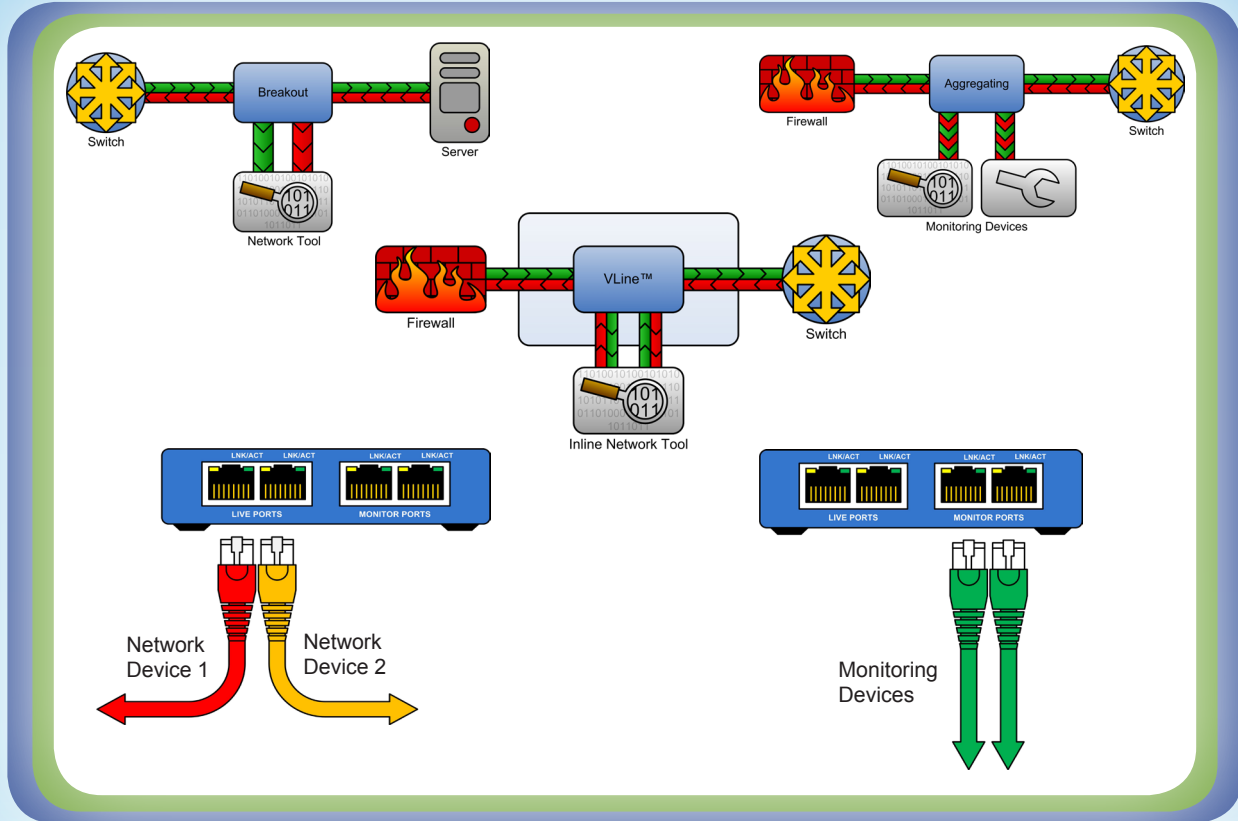
Monitor 100% of your live network traffic

Enables monitoring of full-duplex network traffic from each interface, ensuring 100% data is passed to monitor tools

Ensures all data from live network ports is captured on a single monitoring interface

TAP can be configured with switches located on the back of the TAP

# PT200 Portable V-Line (Bypass) TAP



## ORDER INFORMATION

PT200-RJRJV	Portable 100/1000Mb V-Line (By-Pass) TAP: Two (2) Copper 100/1000Mb RJ-45 TAP Ports with two (2) Copper 100/1000Mb RJ-45 Monitoring Ports, support Breakout Mode, Aggregation Mode, and V-Line (By-Pass) Mode
PT200-RJSFV	Portable 1000Mb V-Line (By-Pass) TAP: Two (2) Copper 1000Mb RJ-45 TAP Ports with two SFP 1000Mb Monitoring Ports, support Breakout Mode, Aggregation Mode, and V-Line (By-Pass) Mode
PT200-MSRJV	Portable 1000Base-SX V-Line (By-Pass) TAP: Two (2) Multi-mode Fiber LC TAP Ports with two (2) 1000Base-T RJ-45 Copper Monitoring Ports, supports Breakout Mode, Aggregation Mode, and V-Line (By-Pass) Mode
PT200-MSSFV	Portable 1000Base-SX V-Line (By-Pass) TAP: Two (2) Multi-mode Fiber LC TAP Ports with two (2) SFP 1000Mb Monitoring Ports, supports Breakout Mode, Aggregation Mode, and V-Line (By-Pass) Mode
PT200-SSRJV	Portable 1000Base-LX V-Line (By-Pass) TAP: Two (2) Single Mode Fiber LC TAP Ports with two (2) 1000Base-T Copper Monitoring Ports, supports Breakout Mode, Aggregation Mode, and V-Line (By-Pass) Mode
PT200-SSSFV	Portable 1000Base-LX V-Line (By-Pass) TAP: Two (2) Single Mode Fiber LC TAP Ports with two (2) SFP 1000Mb Monitoring Ports, supports Breakout Mode, Aggregation Mode, and V-Line (By-Pass) Mode

## TECHNICAL SPECIFICATIONS

Number of TAPs:	1
Number of Ports:	4
Network Ports:	2
Monitor Ports:	2
Network Port Speed:	100/1000Mb
Monitor Port Speed:	1000Mb
Size dimensions (W x H x D):	3.9 x 1.15 x 6.5 inches 9.9 x 2.92 x 16.5 cm
Weight:	.6 lbs
Ambient Operating Temperature:	+32° F to +104° F 0° C to +40° C
Operating Relative Humidity:	90% non-condensing
Storage Temperature:	-4° F to +158° F -20° C to +70° C
Voltage (AC/DC):	5 volts
Current (nominal):	1.4 amps
Power Consumption:	8.5 watts



Network Critical  
37 Franklin Street, Suite 100  
Buffalo, NY 14202

tel: (716) 558-7280  
fax: (716) 568-8280  
email: sales@networkcritical.com