

CriticalConneX™

100/1000 CriticalTAP™ User Guide



CC1220: CriticalConneX™ TAP Module
CC1220-P: CriticalConneX™ Portable TAP

CC1225: CriticalConneX™ TAP Module
CC1225-P: CriticalConneX™ Portable TAP

User Guide

This user guide shows you how to install the CC1220 & CC1225 into your Ethernet network.

What's in the box

Please check the box to make sure all parts are included:

CC1220/CC1220-P:

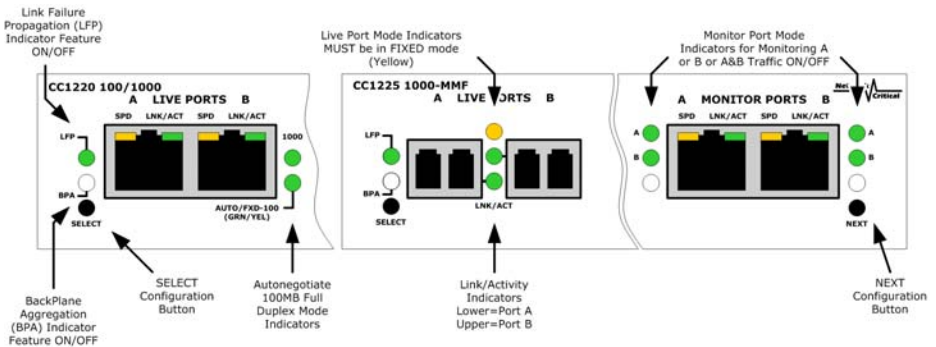
- 1 x CC1220: 100/1000 Copper TAP with 2 Configurable Monitoring Ports
- 1 x Power Supply (incl. with Portable TAP only)
- 1 x User Guide
- 1 x Warranty Card

CC1225/CC1225-P:

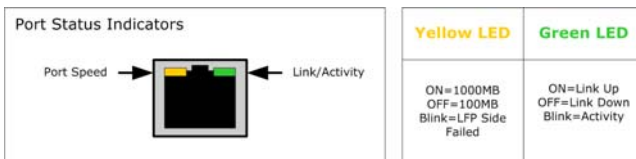
- 1 x CC1225: 1000 MM Fiber TAP with 2 Configurable Monitoring Ports
- 1 x Power Supply (incl. with Portable TAP only)
- 1 x User Guide
- 1 x Warranty Card

Note: If any items are missing or damaged in shipping please inform Network Critical or your local reseller immediately.

Front Panel - CC1220 & CC1225



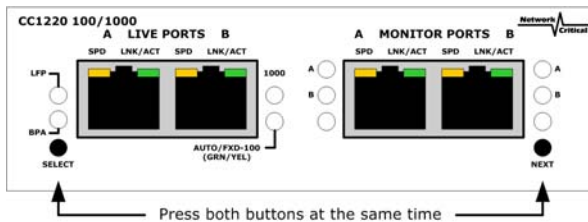
Port Status Indicators



Getting Started:

Configuring the Unit

1. Enter Configuration Mode by pressing SELECT and NEXT simultaneously.
2. The NEXT button steps through each feature setting displayed on the faceplate and the SELECT button allows you to select the features ON or OFF. FAST BLINKING is ON, SLOW BLINKING is OFF.
3. Once completed with the configuration of the TAP Module all the lights will blink several times then show the current configuration.



Configuring the Live Ports

1. Link Failure Propagation (LFP) Mode

When selected the TAP will monitor each LIVE PORT link. If one of the devices connected to the LIVE PORT fails, then the other LIVE PORT will immediately drop. Once the failed connected device is back on-line, then the other LIVE PORT will immediately come back on-line. This feature is generally used in Redundant Configured Networks. (HSRP - Hot Standby Routing Protocol, OSPF - Open Shortest Path First protocol, etc.)

2. BackPlane Aggregation (BPA) (feature available on module only)

When selected the module will participate in BackPlane Aggregation (BPA) on the chassis. Traffic passing through the LIVE PORTS will be tapped and then aggregated on the chassis back plane. Aggregated traffic from all participating modules will be presented on MONITOR PORT A. The module must be mounted in a chassis which supports BPA. MONITOR PORT B will present traffic tapped by this module only.

3. Network Mode - CC1220

You must configure the TAP to match the network configuration into which the TAP will be deployed. Select 1000 to set 1000BASE-TX mode, all ports will operate at 1000 Mbps. Select AUTO (Grn) to set 100MB Autonegotiation mode. Select FXD-100 (Yel) to set 100MB Full-Duplex mode.

4. Network Mode - CC1225

You must configure the TAP to match the network configuration into which the TAP will be deployed. Select AUTO (Grn) to set Autonegotiation mode. Select FXD (Yel) to set fixed 1000MB Full-Duplex mode.

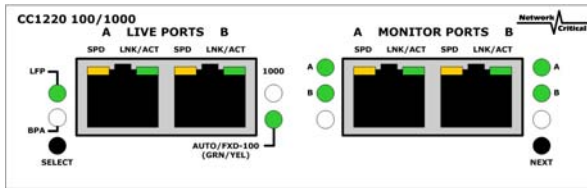
Configuring the Monitor Ports

1. Monitor Port A Traffic Mode

Configure to Monitor Directional Traffic from LIVE PORT A or LIVE PORT B or Monitoring Combi Traffic (combines LIVE PORT A & B TRAFFIC into a single Monitoring Port)

2. Monitor Port A Packet Injection Mode

When selected the sensor connected to MONITOR PORT A will have Packet Injection Mode enabled. The monitor port in Packet Injection Mode is bi-directional, thereby allowing the



Factory Default Configuration

attached sensor to transparently inject packets back onto the network. The received packets are assigned high priority and are seamless switched into the live network traffic. Under full utilization instances, network traffic is buffered ensuring the injection of the packets and no network packet loss.

3. Monitor Port B Traffic Mode

Configure to Monitor Directional Traffic from LIVE PORT A or LIVE PORT B or Monitoring Combi Traffic (combines LIVE PORT A & B TRAFFIC into a single Monitoring Port)

4. Monitor Port B Packet Injection Mode

When selected the sensor connected to MONITOR PORT B will have Packet Injection Mode enabled. The monitor port in Packet Injection Mode is bi-directional, thereby allowing the attached sensor to transparently inject packets back onto the network. The received packets are assigned high priority and are seamless switched into the live network traffic. Under full utilization instances, network traffic is buffered ensuring the injection of the packets and no network packet loss.

Configuration Complete!
POWER OFF THE UNIT FOR INSTALLATION

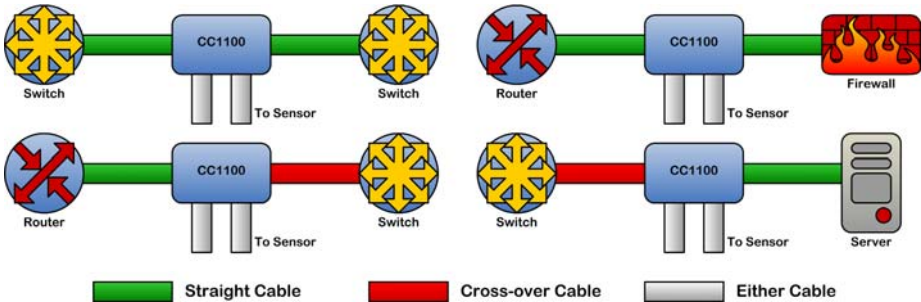
Installing the TAP

1. Configure the TAP (see above)

Important! Do not power up the TAP now.

2. Connect the proper cables for your configuration to the Live Ports A & B.

3. Check the Link/Activity indicators on your network device ports to verify whether data is flowing through the LIVE PORTS on the TAP WITH THE POWER OFF.



Note: This cable guide is for 100MB operation only and is to ensure that the LAN devices can still communicate even if power to the TAP fails. It is not necessary for 1000MB operation as Auto-MDIX is used. Most equipment vendors follow the above standard MDI or MDIX configurations, however some vendors may not. To ensure proper connectivity, always verify link at the network devices with the TAP power off. If there is no link try changing one of the cables from Straight-thru to Cross-over.

4. Reconnect the Power Connection.
5. The TAP will power up. The TAP speed indicator on the front of the unit will light, Link/Activity Indicators on the LIVE PORTS show activity, and the Monitor Port Lights will show selected configuration.
6. Set-up sensor(s) and connect Ethernet cables from your sensor's monitoring port(s) to MONITOR PORT A and/or B
7. Check the Link/Activity indicators on your sensors' network ports to see whether data is flowing from the TAP to the sensor ports.

Note: If the TAP fails to power up or fails to show link/activity on all connected ports make sure that the power source is turned on. Check all connections and verify that all cables used in working condition.

Installation Complete!

Further Information & Support

For more information and technical support on this product please contact us at the following locations:

Web	http://www.criticaltap.com/
UK Phone	+44 (0) 1189 543210
USA Phone	+1 716-833-2422
Email	support@networkcritical.com