



## PT200 Portable Configurable TAP

The PT200 portable tap is ideal for 100/1000MB copper and fiber network troubleshooting. The innovative design allows this TAP to be configured as a breakout TAP, aggregating TAP, and SPAN TAP. Once deployed the PT200 will enable you to troubleshoot your network segments quickly and effectively using only a single network analyzer. The PT200 makes use of gigabit monitor interfaces where directional traffic is combined or aggregated for easy analysis on dedicated capture devices or portable computers. The PT200's two gigabit monitor interfaces allow for up to two different tools to capture identical full-duplex traffic flowing over a single Ethernet segment or three different tools for SPAN.



### FEATURES

Link Failure Propagation (LFP)

Configurable TAP Modes

Passes physical layer errors

Aggregating monitor ports

Gigabit monitoring ports

Easily Configurable

### BENEFITS

Allows attached network devices to detect if link state is lost on adjacent network devices

Supports breakout mode, aggregation mode, and SPAN mode

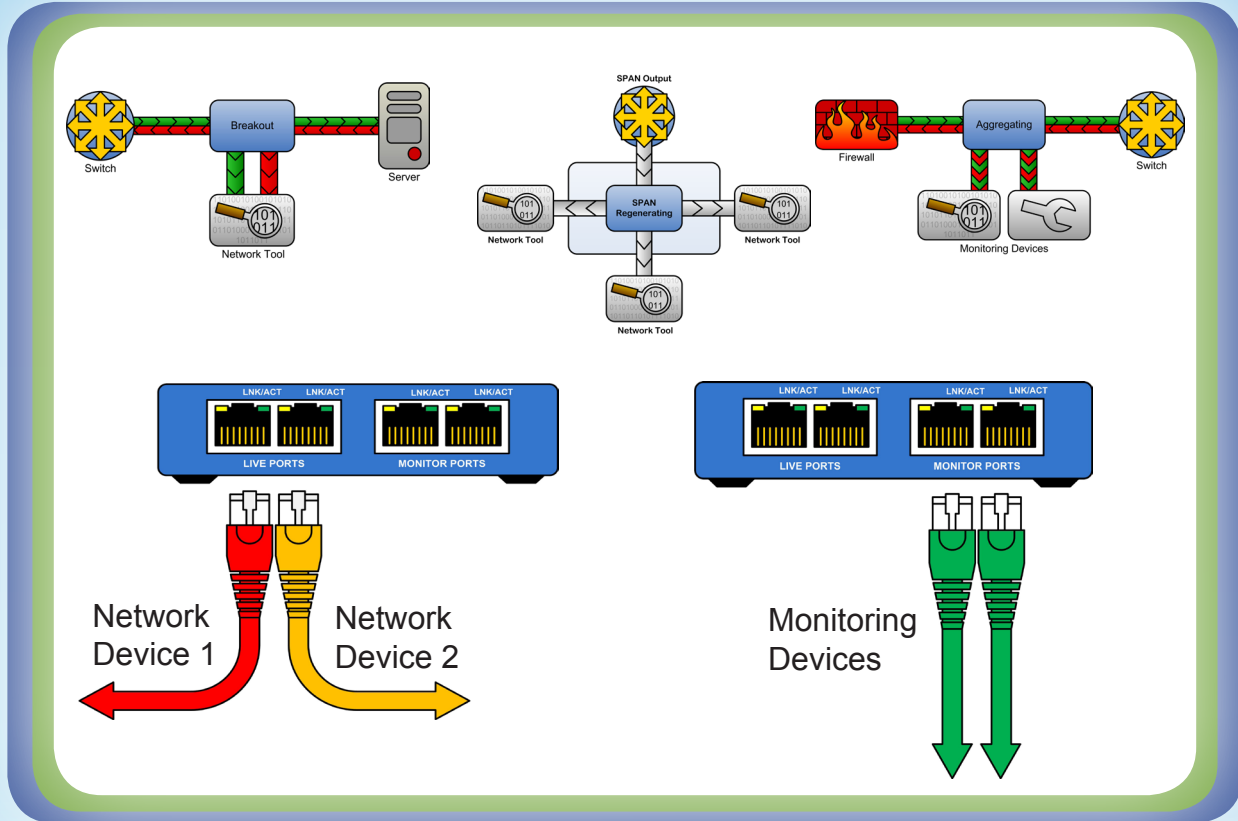
Monitor 100% of your live network traffic

Enables monitoring of full-duplex network traffic from each interface, ensuring 100% data is passed to monitor tools

Ensures all data from live network ports is captured on a single monitoring interface

TAP can be configured with switches located on the back of the TAP

# PT200 Portable Configurable TAP



## ORDER INFORMATION

PT200-RJRJ	Portable 100/1000Mb TAP: Two (2) Copper 100/1000Mb RJ-45 TAP Ports with two (2) Copper 100/1000Mb RJ-45 Monitoring Ports
PT200-RJSF	Portable 1000Mb TAP: Two (2) Copper 1000Mb RJ-45 TAP Ports with two (2) SFP 1000Mb Monitoring Ports
PT200-MCRJ	Portable 1000Base-SX TAP: Two (2) Multi-mode 62.5micron Passive Fiber LC TAP Ports with two (2) Copper 1000Mb RJ-45 Monitoring Ports
PT200-MCSF	Portable 1000Base-SX TAP: Two (2) Multi-mode 62.5micron Passive Fiber LC TAP Ports with two (2) SFP 1000Mb Monitoring Ports
PT200-MCRJ-50	Portable 1000Base-SX TAP: Two (2) Multi-mode 50micron Passive Fiber LC TAP Ports with two (2) Copper 1000Mb RJ-45 Monitoring Ports
PT200-MCSF-50	Portable 1000Base-SX TAP: Two (2) Multi-mode 50micron Passive Fiber LC TAP Ports with two (2) SFP 1000Mb Monitoring Ports
PT200-SCRJ	Portable 1000Base-LX TAP: Two (2) Single Mode 9micron Passive Fiber LC TAP Ports with two (2) Copper 1000Mb RJ-45 Monitoring Ports
PT200-SCSF	Portable 1000Base-LX TAP: Two (2) Single Mode 9micron Passive Fiber LC TAP Ports with two (2) SFP 1000Mb Monitoring Ports
RF-1U-4	Rackmount Frame: 1U holds up to 4 Portable TAPs PT200XXXX

## TECHNICAL SPECIFICATIONS

Number of TAPs:	1
Number of Ports:	4
Network Ports:	2
Monitor Ports:	2
Network Port Speed:	100/1000MB
Monitor Port Speed:	1G
Size dimensions (W x H x D):	(3.9 x 1.15 x 6.5) inches
Weight:	.6 lbs
Ambient Temperature:	0°C to +40°C/ +32°F to +104°F
Operating Relative Humidity:	90% non-condensing
Storage Temperature:	-20°C to +70°C/ -4°F to +158°F
Voltage (AC/DC):	6 volts
Current (nominal):	1.4 amps
Maximum Power Consumption:	8.5 watts



Network Critical  
37 Franklin Street, Suite 100  
Buffalo, NY 14202

tel: (716) 558-7280  
fax: (716) 568-8280  
email: sales@networkcritical.com